



ENERGY.CASE 500

Product number: 05.24V



dustproof



extremely robust



rubberized handle



easy-open locks



Continuous power
60W-290W



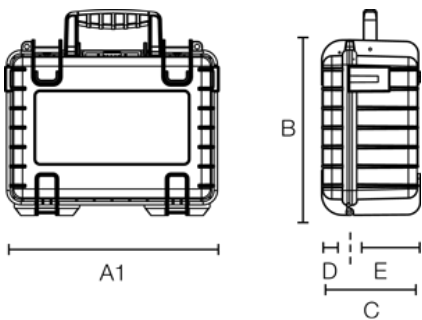
Voltage 12V-48V
DC



Voltage 230 V 50
Hz



Battery capacity
500 Wh



A (A1):	420 mm
B:	325 mm
C:	180 mm
A (A1) inside:	mm
B inside:	mm
C inside:	mm
D (lid) inside:	mm
E (bottom) inside:	mm

Product features

Fitting for	type 500
Certificates	IP54
Material	PP