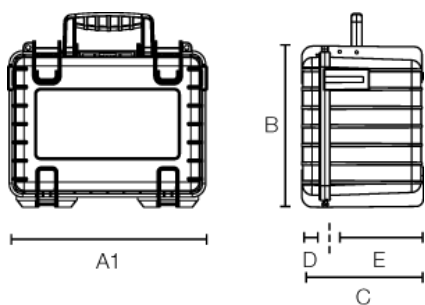


TYPE 2000 DJI MINI 3 PRO

Product number: 2000/Y/Mini3



- | | | | |
|---|--------------------|---|---------------------------------------|
|  | dustproof |  | extremely robust |
|  | rubberized handle |  | easy-open locks |
|  | stackable |  | airworthy |
|  | temperature stable |  | 30-year warranty |
|  | waterproof |  | two eyelets for padlocks (Ø 0.2 inch) |



A (A1):	270 mm
B:	215 mm
C:	165 mm
A (A1) inside:	250 mm
B inside:	175 mm
C inside:	155 mm
D (lid) inside:	25 mm
E (bottom) inside:	130 mm

Product features

Use	Drone
Certificates	ATA 300 DEF STAN 81-41 STANAG 4280 IP67 MIL-STD-801G

Accessories

Lid Pocket (LP) for B&W outdoor.case
Shoulder Strap (CS) for B&W outdoor.case
Mesh bag (MB) for B&W outdoor.cases