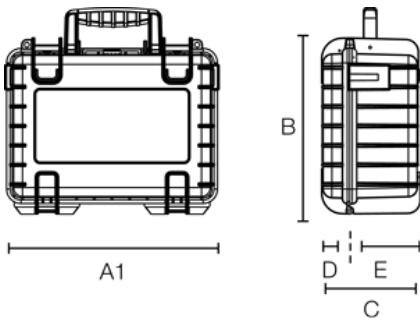




B&W OUTDOOR.CASES TYPE 4000

Product number: 4000/B

- | | | | |
|--|---------------------------------------|--|-------------------|
| | two eyelets for padlocks (Ø 0.3 inch) | | dustproof |
| | waterproof (IP67 certified) | | 30-year warranty |
| | extremely robust | | rubberized handle |
| | easy-open locks | | stackable |
| | temperature stable | | airworthy |



A (A1):	420 mm
B:	325 mm
C:	180 mm
A (A1) inside:	385 mm
B inside:	265 mm
C inside:	165 mm
D (lid) inside:	45 mm
E (bottom) inside:	120 mm

Product features

Possible configurations	empty pre-cut foam (SI) padded dividers (RPD)
Certificates	UN 3090/91 UN 3480/81 ATA 300 MIL-STD-801G IP67 STANAG 4280 DEF STAN 81-41
Material	PP
Volume (l)	16.6

Accessories

- Lid Pocket (LP) for B&W outdoor.case
- Shoulder Strap (CS) for B&W outdoor.case
- Mesh bag (MB) for B&W outdoor.cases