



ENERGY.CASE PRO500

Product number: 05.230V/O



extremely robust



telescopic handle



Battery capacity
500 Wh



waterproof



stackable



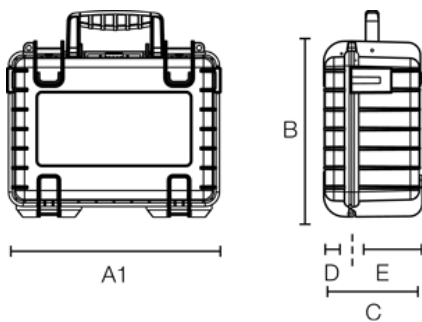
Voltage 110V
60HZ



Voltage output
1=230 V - 50 Hz



Voltage 5 V -48 V
DC



A (A1):	470 mm
B:	365 mm
C:	190 mm
A (A1) inside:	mm
B inside:	mm
C inside:	mm
D (lid) inside:	mm
E (bottom) inside:	mm

Product features

Certificates	IP54
Material	PP

Accessories

Backpack System (BPS) for B&W outdoor.cases