



TYPE 6000 MEDICAL CASE FOR EMERGENCY

Product number: 6000/O/MED



extremely robust



easy-open locks



two eyelets for padlocks (Ø 0.3 inch)



temperature stable



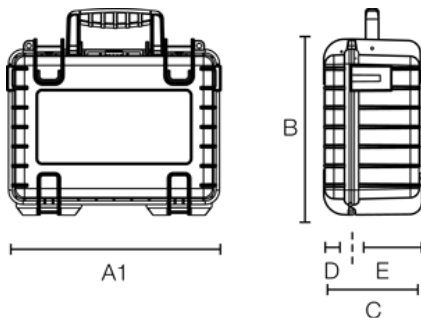
rubberized handle



stackable



airworthy



A (A1):	510 mm
B:	420 mm
C:	215 mm
A (A1) inside:	475 mm
B inside:	350 mm
C inside:	200 mm
D (lid) inside:	50 mm
E (bottom) inside:	150 mm

Product features

Certificates	ATA 300 DEF STAN 81-41 STANAG 4280
Material	PP
Volume (l)	32.6

Accessories

Backpack System (BPS) for B&W outdoor.cases
Lid Pocket (LP) for B&W outdoor.case
Panel Frame (PF) for B&W outdoor.cases
Panel Frame Aluminum (PFAF) for B&W outdoor.cases
Shoulder Strap (CS) for B&W outdoor.case