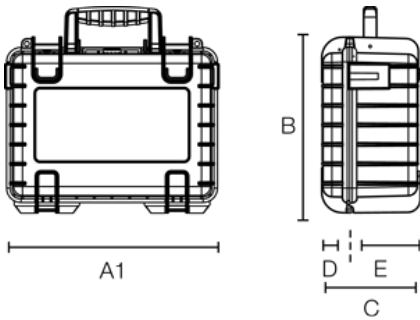




## B&W 6040 LI-ION CARRY & STORE

Product number: 6040/B/CX



A (A1):	<b>510 mm</b>
B:	<b>420 mm</b>
C:	<b>150 mm</b>
A (A1) inside:	<b>475 mm</b>
B inside:	<b>350 mm</b>
C inside:	<b>130 mm</b>
D (lid) inside:	<b>50 mm</b>
E (bottom) inside:	<b>80 mm</b>

### Product features

MIL-STD-801G UN 3480/81 UN  
 Certificates 3090/91 DEF STAN 81-41 IP67  
 STANAG 4280 ATA 300

Material PP

Volume (l) 21.0

### Accessories

Lid Pocket (LP) for B&W outdoor.case

Panel Frame (PF) for B&W outdoor.cases

Panel Frame Aluminum (PFAF) for B&W  
 outdoor.cases

Shoulder Strap (CS) for B&W outdoor.case